

# ***Motorcycle Lift stand***

**IMPORTANT!** PLEASE READ THESE INSTRUCTIONS CAREFULLY. NOTE ALL SAFETY INSTRUCTIONS AND WARNINGS. USE THE PRODUCT CORRECTLY AND WITH CARE FOR THE PURPOSE FOR WHICH IT IS INTENDED. FAILURE TO FOLLOW THESE INSTRUCTIONS MAY CAUSE DAMAGE TO PROPERTY AND/OR PERSONAL INJURY.

**PLEASE KEEP THESE INSTRUCTIONS SAFE AND AVAILABLE FOR FUTURE REFERENCE.**

## ***CERTIFICATE OF GUARANTEE***

---

This product is guaranteed for a period of 1 Year, with effect from the date of purchase and applies only to the original purchaser. This guarantee only applies to defects arising from, defective materials and or faulty workmanship that become evident during the guarantee period only and does not include consumable items. The manufacturer will repair or replace the product at their discretion subject to the following. That the product has been used in accordance with the guidelines as detailed in the product manual and that it has not been subjected to misuse, abuse or used for a purpose for which it was not intended. That it has not been taken apart or tampered with in any way whatsoever or has been serviced by unauthorised persons or has been used for hire purposes. Transit damage is excluded from this guarantee. Claims made under this guarantee must be made in the first instance, directly to the retailer within the guarantee period. Only under exceptional circumstances should the product be returned to the manufacturer. In this case it may be the consumer's responsibility to return the product at their cost ensuring that the product is adequately packed to prevent transit damage and must be accompanied with a brief description of the fault and a copy of the receipt or other proof of purchase. The manufacturer shall not be liable for any special, exemplary, direct, indirect, incidental or consequential loss or damage under this guarantee.

## ***INTRODUCTION***

---

Thank you for purchasing this product which has passed through our extensive quality assurance process. Every care has been taken to ensure that it reaches you in perfect condition. However, in the unlikely event that you should experience a problem, or if we can offer any assistance or advice please do not hesitate to contact our customer care department.

## ***HELPLINE & SPARE PARTS***

---

In the unlikely event of a defect occurring please contact our Helpline.  
Office hours: Monday - Friday 9:00am - 5:00pm. Telephone Number 01332 576 850

## ***WARNING***

---

- Children are not allowed to assemble the product. During assembly, keep all small parts out of the reach of children, as it may be fatal to swallow or inhale them. Children are forbidden to climb or play on the product.
- Climbing or playing on the product may result in serious bodily injuries.

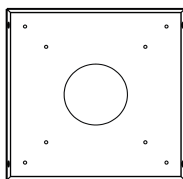
## **NOTE**

---

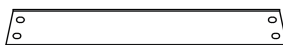
- The product must be assembled and used in accordance with the provisions of the manual.
- Avoid long-term exposure to humid environments to prevent mildew.
- Keep the product away from fire sources and high temperatures. Do not expose the product to direct sunlight.
- Do not place any hot objects directly on the surface of the product.
- If there are any defective or missing parts after unpacking, please cease assembly immediately and contact us.
- Please assemble the item on a spacious surface; to avoid product damage, do not place the unwrapped product directly on the ground.
- Please do not stand or sit on the wooden boards.
- Please keep the product away from sharp, pointed objects and corrosive substances to prevent product damage.
- If you find that the table legs are loose during use, please tighten the screws as soon as possible to prevent the issue from persisting.

## **PARTS LIST AND DIAGRAM**

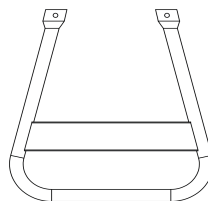
---



Work table x 1 PCS



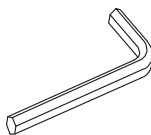
Side connecting plate x 2 PCS



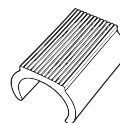
Support leg x 2 PCS



M6x12mm screw x 12 PCS



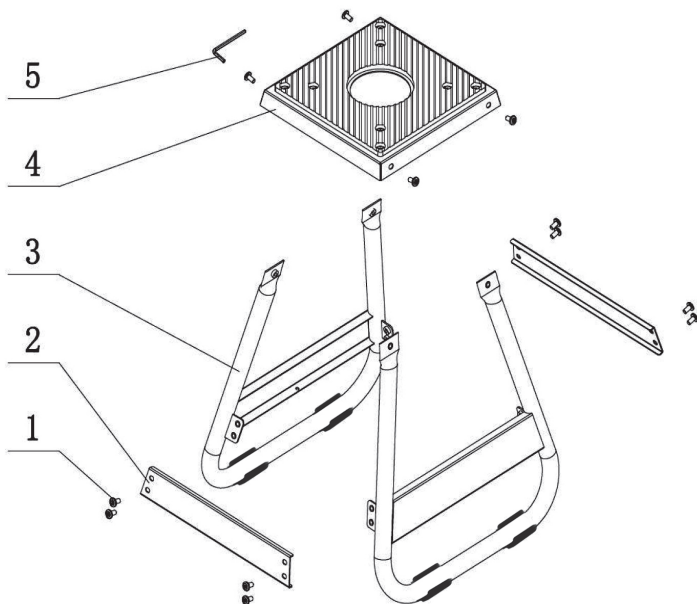
Hex key x 1 PC



Plastic feet x 4 PCS

## ASSEMBLY INSTRUCTIONS REQUIRED

---



1. Take out the two supporting legs (3) and two side connecting plates (2), align the mounting holes of the supporting legs and connecting plates.
2. Use 8 pieces of M6x12 screws (1) to fix the side connecting plates (2) and supporting legs (3) firmly.
3. Install the assembled supporting structure to the bottom of the work table (4), and tighten the M6x12 screws (1) to ensure stability.
4. Check all connections to make sure they are tight, and the installation is completed. The hex key (5) can be used for tightening adjustment.